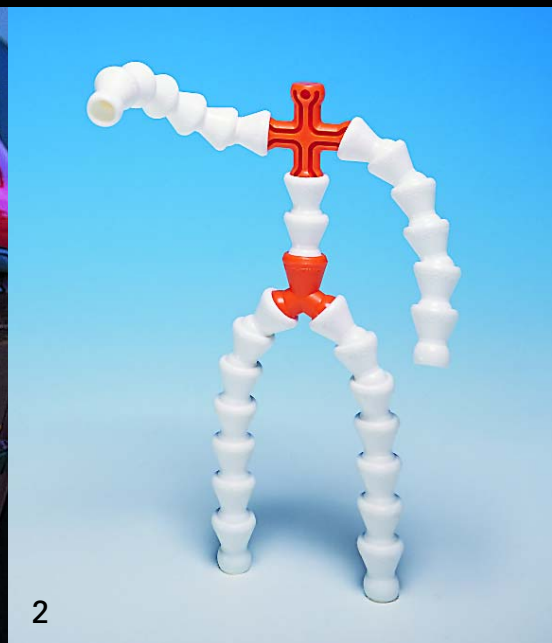


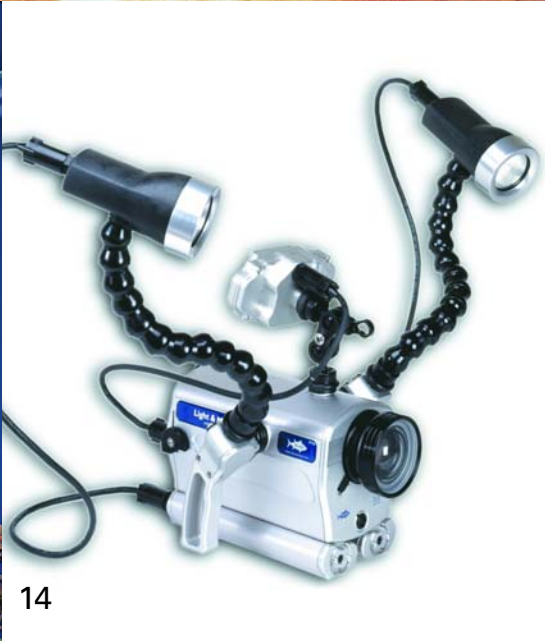
LOC-LINE[®]
THE ORIGINAL MODULAR HOSE SYSTEM.



LOC-LINE® FLEXES TO MANY TASKS

1. Paintless dent removal by Inventure is made easier using Loc-Line® 3/4" hose and standard shield parts.
2. Loc-Line® in all sizes is used as armatures for dolls and stuffed animals.
3. Loc-Line® 1/2" System directs chilled air through a Vortec cold gun, one of the many air applications that use Loc-Line®.
4. The Flexible Shower Massage by Water Pik combines a patented Loc-Line® design with the Shower Massage to position the head to any height.
5. Fadal Engineering uses Loc-Line® in a traditional flood coolant application.
6. A Loc-Line® Flare Nozzle directs just the right amount of coolant to the cutter.
7. Trico uses Loc-Line® 1/4" System to enhance mist delivery for the Micro Drop® Dispenser.
8. Hass Automation and Loc-Line® combine for accurate aim coolant flow.
9. The Smart Washer® manufactured by ChemFree uses the Loc-Line® 1/2" System to direct environmentally safe fluids to clean parts in the tub.
10. Exair's Cold Gun and Loc-Line® cools the grinder and tool without using fluids.
11. Loc-Line® Vacuum Hose and a standard shop vacuum help keep workshops cleaner.
12. The Snake Light™ Flexible Flashlight by Black and Decker utilizes a patented Loc-Line® design that resists popping apart.
13. An aquarium manufactured by Tenecor uses Loc-Line for the water return lines from the pump, keeping the water moving in the right direction.
14. The BlueFin V900 underwater camera by Light & Motion uses Loc-Line® to hold and aim the lights.
15. Loc-Line® Swivel Nozzle distributes an even flow of coolant for a surface grinding operation.





THE LOC-LINE® SYSTEM

THE BASIC SHAPE OF THIS BALL AND SOCKET DESIGN IS THE KEY TO THE LOC-LINE® SYSTEM.



The tapered skirt design of Loc-Line® allows full articulation of the ball without cutting off any flow as do round skirt designs.

½" Hose



0.98" O.D.

¼" Hose



0.64" O.D.

¾" Hose



1.23" O.D.

2½" Hose



2.93" O.D.

- Loc-Line's unique ball and socket design is fully hand adjustable in both position and length.
- Bending doesn't decrease the inside diameter and it won't kink or fatigue like copper tubing.
- Unlike metal hoses, Loc-Line® won't damage machine tool cutters if contact occurs.
- Loc-Line® is electrically non-conductive. It is ideal for use as an EDM flushing hose.
- Loc-Line® has no internal positioning rod that can break or restrict fluid flow.
- Repeated positioning is easy and it will stay in position without any springback. Creep due to machine vibration is eliminated.

- Loc-Line® is manufactured in a premium grade acetal copolymer material which is chemically resistant to petroleum products, coolants, and most common chemicals. Selected parts are also available in an acid resistant polyester.
- Loc-Line® continues the original adjustable hose concept by offering four hose diameters, manifolds, valves, and a large choice of nozzles and fittings. Our new Modular Vacuum Hose System continues to build on our original concept.
- Loc-Line® is designed for low pressure applications. Maximum pressures for the hose systems vary with the length of the hose, the diameter of the selected nozzle, and the bending angles. The following specifications are guidelines for all Loc-Line® coolant hose systems.

FOUR HOSE DIAMETERS

Loc-Line® is available in four different sizes with inside diameters measuring from ¼" to 2 ½".

LINE PRESSURE & FLOW RATES:

- 1/4" System** 30–50 PSI 250 Gal / Hour
- 1/2" System** 20–30 PSI 478 Gal / Hour
- 3/4" System** 10–20 PSI 1,140 Gal / Hour

TEMPERATURE SPECIFICATIONS:

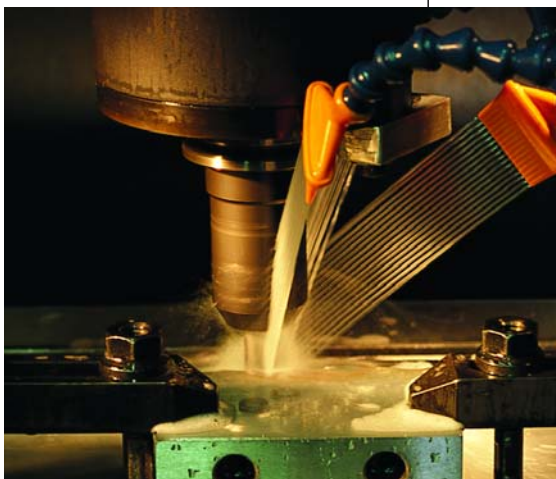
- Melting point: 329° F
- Maximum operating temperature: 170° F

Please note that all applications have variables and conditions that will affect the maximum hose pressures. Testing is always recommended whenever possible.



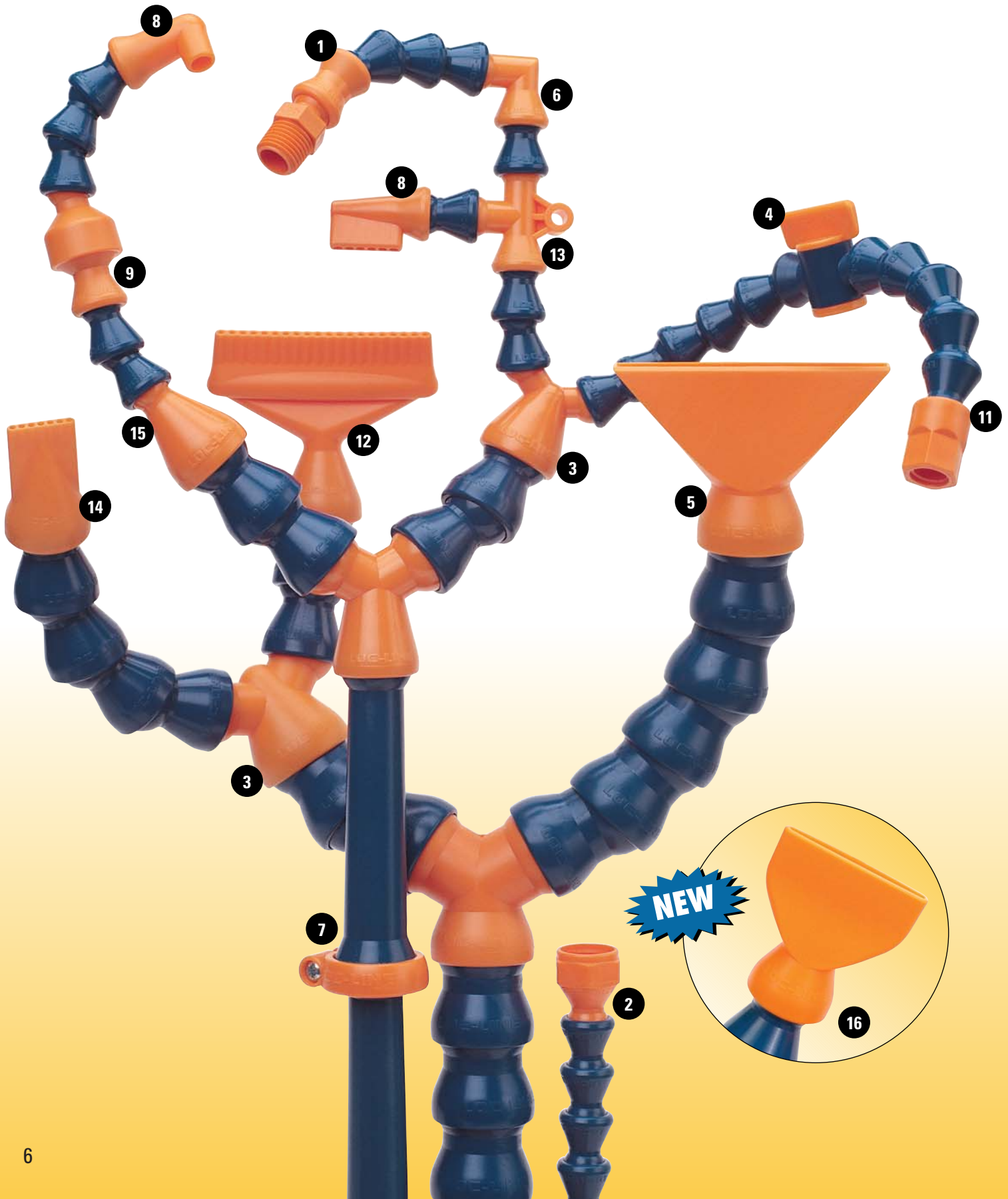
LOC-LINE® BULK PACKS

Loc-Line® is offered in bulk packaging to simplify your purchasing requirements. Whatever your demands, there is a package to fit your needs. Bulk packed product is available in black, gray and the original blue and orange.



Common Compatability with Acetal Products Loc-Line® Blue & Orange Colors		
	Yes	Acetone
No		Acids
	Yes	Alcohol, Ethyl
No		Ammonium Hydroxide, (Strong)
No		Bases, Strong
	Yes	Commercial Dish Detergents
	Yes	Gasoline
	Yes	Greases
No		Hypochlorite Ion Solutions
	Yes	Lacquer Solvents
	Yes	Oils
	Yes	Sodium Hydroxide
No		Sodium Hypochlorite

CUSTOMIZED SOLUTIONS



THE LOC-LINE® SYSTEM OFFERS ENDLESS COMBINATIONS FOR OUTSTANDING RESULTS.

1. DOUBLE SOCKETS

Allows user to put a Loc-Line® connector on both ends • Can be used to connect coolant fed tooling • Allows attachment of a non-Loc-Line® nozzle

2. FLARE NUT FITTINGS

Allows users to replace flared copper tube fittings and copper tube with Loc-Line® fittings and hose. Loc-Line® won't fatigue like copper. • A popular fitting for air applications in the printing industry • $\frac{3}{8}$ " Flare nuts fit to $\frac{5}{8}$ " - 18 threads • $\frac{1}{4}$ " Flare nuts fit to $\frac{3}{8}$ " - 20 threads

3. Y FITTINGS & REDUCERS

Multiple nozzles can be attached to one supply line • Reducing Y's connect a larger supply line to two smaller hose diameters

4. VALVES

Regulate coolant or air flow to your work area • $\frac{1}{4}$ turn of handle opens or closes the valve • Light-weight and compact for in-line use • Body and stem material is acetal copolymer • Stem seals are nitrile (Buna N)

5. FLARE NOZZLES

Spreads coolant or air over a wide area without restricting the flow volume

6. ELBOW FITTINGS

Attaches directly to NPT fittings where tight turns are needed • Allows 90° hose turns

7. EXTENDED ELEMENTS & ELEMENT CLAMPS

Element Clamps tighten onto any standard Loc-Line® element in the same size system • Extended Elements with Clamps reduce dynamic motion at higher pressures • Extended Elements make it easier to run longer lengths of hose

8. 90 DEGREE NOZZLES

90 Degree Nozzles allow coolant flow close to the tool • 90 Degree Nozzles make tight turns behind the cutter • Reduce view obstructions in front of the tool • 90 Degree Nozzles fit directly on NPT connectors in short tight spaces • Spray Bar Nozzles distribute coolant over a wide area with even pressure

9. IN-LINE CHECK VALVES

Maintain fluid in the hose for the next cutting operation, thus reducing dry cutting • Helps eliminate fluid dripping from the hose after the pump is shut off • Designed for short cycles between pallet changes or tool changes.

10. CIRCLE FLOW NOZZLE KITS & SIDE FLOW NOZZLES

Allows the user to completely encircle the cutter • Side Flow Nozzles can be added or subtracted to accommodate different size cutters • Side Flow Nozzles can be arranged in a long straight manifold

11. $\frac{1}{4}$ " SOCKET X $\frac{1}{8}$ " FNPT

Allows users to screw on a specialty nozzle



12. SWIVEL NOZZLES

Adjustable spray head features 40° range of motion over flared base • Evenly spaced holes for even distribution of liquids or air • Offset head design directs air or fluid parallel to the cutting surface

13. T FITTINGS

Connects 2 hoses from one source in a 90° configuration • Adds an additional outlet to Modular Manifolds • Boss allows easy mounting for additional hose support

14. FLAT NOZZLES

Provides a thin flat pattern for precise directional control of air or fluids • Available with slots or holes

15. HOSE ADAPTERS

Allows larger ID hoses to be reduced to smaller ID systems. • $\frac{3}{4}$ " to $\frac{1}{2}$ " or $\frac{1}{2}$ " to $\frac{1}{4}$ "

16. STRAIGHT FLOW NOZZLES

Nozzles designed to optimize an even flow pattern over a wide area while reducing build-up at the nozzle edges.

1/4" SYSTEM

1/4" INSIDE DIAMETER

Part No.	Description	List Price	Part No.	Description	List Price	Part No.	Description	List Price
40413	1/4" Hose Kit 13" Length with Fittings 2 - Segments, 5 3/4" Long 1/4", 1/8", 1/16" Nozzles 1/4" & 1/8" Male NPT Connectors	\$ 7.85	1/4" Segment Pack			1/8" NPT Connector		
			41401	2 - Segments, 5 3/4" Long	\$ 5.90	41405	pack of 4	\$ 3.90
40452	1/4" Flared Tubing Replacement Pack 8 - Segments, 5 3/4" Long 1 - 1" Flare Nozzle Includes 4 each of: 3/8" Flare Nut Adapters 1/8" Round Nozzles 1/4" Round Nozzles	28.55	49420	Bulk 25 ft., 55 Segments	130.00	49425	pack of 50	38.50
			49421	1/4" 50 Foot Coil	260.00	1/8" BSPT* Connector		
41474	1/4" 90° Nozzle Kit 1 Each: 1/16", 1/8", 1/4" & 1/4" Spray Bar Nozzles	6.55	1/4" Extended Element			1/4" NPT Connector		
			41476	pack of 4	8.75	41406	pack of 4	3.90
41475	1/4" Extended Element Kit with Element Clamps Includes 4 each of: 1/4" Extended Elements 1/4" Element Clamps	13.15	49445	pack of 20	35.00	49426	pack of 50	38.50
			1/4" Element Clamp			1/4" BSPT* Connector		
41479	1/4" Circle Flow Nozzle Kit Assembled with 15 Side Flow Nozzles 1/4" & 1 End Cap 1/4"	17.55	41477	pack of 4 (w/ screws)	6.55	41418	pack of 4	3.90
			49446	pack of 20 (w/ screws)	24.75	49438	pack of 50	38.50
			1/16" Round Nozzle			1/4" Y Fitting		
			41402	pack of 4	3.90	41408	pack of 2	5.90
			49422	pack of 50	38.50	49428	pack of 20	41.80
			1/8" Round Nozzle			1/4" Double Socket		
			41403	pack of 4	3.90	41409	pack of 4	4.35
			49423	pack of 50	38.50	49429	pack of 20	17.15
			1/4" Round Nozzle			1/4" Socket to 1/8" FNPT		
			41404	pack of 4	3.90	41411	pack of 4	4.95
			49424	pack of 50	38.50	49431	pack of 20	19.60
			1/16" 90° Nozzle			3/8" SAE Flare Nut Adapter		
			41470	pack of 4	5.45	41412	pack of 4	5.90
			49439	pack of 20	21.55	49432	pack of 20	23.10
			1/8" 90° Nozzle			1/4" SAE Flare Nut Adapter		
			41471	pack of 4	5.45	41414	pack of 4	5.90
			49440	pack of 20	21.55	49434	pack of 20	23.10
			1/4" 90° Nozzle			1/4" Elbow Fitting		
			41472	pack of 4	5.45	41415	pack of 2	5.45
			49441	pack of 20	21.55	49435	pack of 20	42.45
			1/4" 90° Spray Bar Nozzle			1" Flare Nozzle		
			41473	pack of 2	5.90	41407	pack of 2	5.90
			49442	pack of 20	41.80	49427	pack of 20	41.80

Part No.	Description	List Price
	1/4" T Fitting	
41416	pack of 2	\$ 6.55
49436	pack of 20	51.25
	1/4" Side Flow Nozzle	
41478	pack of 4	6.55
49443	pack of 20	24.20
	1/4" End Cap	
41480	pack of 4	3.90
49447	pack of 20	15.40
	1/4" Swivel Nozzle 40	
41481	pack of 2	8.75
49449	pack of 20	70.35
	• .040" Hole diameter	
	1/4" Swivel Nozzle 60	
41482	pack of 2	8.75
49450	pack of 20	70.35
	• .060" Hole diameter	
	2 1/4" Swivel Nozzle 75	
41488	pack of 2	9.25
49455	pack of 20	74.00
	• .075" Hole diameter	
	1" Straight Flow Nozzle	
41489	pack of 2	5.90
49456	pack of 20	41.80
	1/4" Male NPT Valve*	
21192	pack of 2	9.85
29452	pack of 10	43.95
	1/4" Female NPT Valve*	
21193	pack of 2	9.85
29453	pack of 10	43.95
	1/4" In-Line Valve*	
21194	pack of 2	9.85
29454	pack of 10	43.95

Part No.	Description	List Price
	In-Line Check Valve	
21191	pack of 2	\$ 9.85
29451	pack of 10	43.95
	1/4" Flat Slot 40 Nozzle	
41483	pack of 4	6.25
49451	pack of 20	25.00
	• .040" Slot height	
	1/4" Flat Slot 60 Nozzle	
41484	pack of 4	6.25
49452	pack of 20	25.00
	• .060" Slot height	
	1/4" Flat 5 Hole Nozzle	
41485	pack of 4	6.25
49453	pack of 20	25.00
	• .060" Hole diameter	
	1/4" Flat 7 Hole Nozzle	
41486	pack of 4	6.25
49454	pack of 20	25.00
	• .040" Hole diameter	

Part No.	Description	List Price
41487	1/4" Flat Nozzle Assortment Pack	\$ 6.25
	Includes one each of: Flat Slot 40 Nozzle Flat Slot 60 Nozzle Flat 5 Hole Nozzle Flat 7 Hole Nozzle	
	1/4" Nozzle-Rama Pack	
41490	One of each nozzle for 1/4" hose system. (16 nozzles)	24.95
	1/4" Hose Assembly Pliers	
78001	one 1/4" pliers	10.95
78003	1/4" & 1/2" Pliers Set	19.75


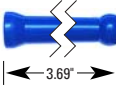




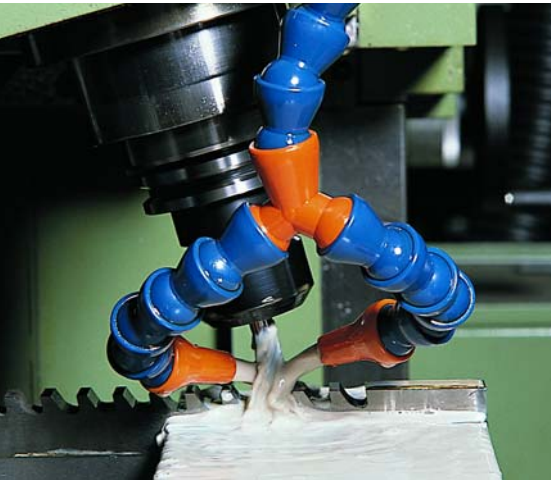










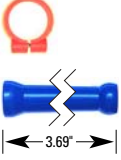









*** 1/4" Valve Specifications**

- Full 1/4" inside diameter
- Maximum Working Pressures:
1/4" Hose: 30 PSI
1/4" In-Line Valve: 30 PSI
1/4" Male and Female NPT Valves: 100 PSI
(1/4" Hose limits most applications to 30 PSI)
- Body and stem material: Acetal Copolymer
- Stem seal: Nitrile (Buna N)
- 1/4 turn shut off


**DIMENSIONAL INFORMATION
FOR THE 1/4" SYSTEM ON PAGE 17**


1/2" SYSTEM


1/2" INSIDE DIAMETER


Part No.	Description	List Price	Part No.	Description	List Price	Part No.	Description	List Price
	50813 1/2" Hose Kit 13" Length with Fittings: 2 - Segments, 5 1/2" Long 1/4", 3/8", 1/2" Nozzles 3/8" & 1/2" Male NPT Connectors	\$ 8.85		1/2" Extended Element 51833 pack of 4 \$ 9.85 59883 pack of 20 39.40			3/8" NPT Connector 51804 pack of 4 \$ 4.45 59864 pack of 50 44.00	
	51832 1/2" 90° Nozzle Kit 7.40 1 Each: 1/4", 3/8", 1/2" & Spray Bar Nozzles			1/2" Element Clamp 51834 pack of 4 (w/ screws) 7.65 59884 pack of 20 (w/ screws) 28.50			3/8" BSPT* Connector 51826 pack of 4 4.45 59876 pack of 50 44.00 * British Standard Pipe Thread	
				1/4" Round Nozzle for 1/2" 51806 pack of 4 4.45 59866 pack of 50 44.00			1/2" NPT Connector 51805 pack of 4 4.45 59865 pack of 50 44.00	
				3/8" Round Nozzle 51802 pack of 4 4.45 59862 pack of 50 44.00			1/2" BSPT* Connector 51827 pack of 4 4.45 59877 pack of 50 44.00 * British Standard Pipe Thread	
				1/2" Round Nozzle 51803 pack of 4 4.45 59863 pack of 50 44.00			1/2" Y Fitting 51808 pack of 2 6.65 59868 pack of 20 46.20	
				1/4" 90° Nozzle 51828 pack of 4 6.20 59878 pack of 20 24.75			1/2" to 1/4" Y Reducer 51822 pack of 2 6.65 59870 pack of 20 46.20	
				3/8" 90° Nozzle 51829 pack of 4 6.20 59879 pack of 20 24.75			1/2" to 1/4" Adapter 51821 pack of 2 4.90 59869 pack of 20 41.80	
	51835 1/2" Extended Element Kit with Element Clamps 15.35 Includes 4 each of: 1/2" Extended Elements 1/2" Element Clamps			1/2" 90° Nozzle 51830 pack of 4 6.20 59880 pack of 20 24.75			1/2" Double Socket 51811 pack of 4 4.95 59872 pack of 20 19.60	
	51837 1/2" Circle Flow Nozzle Kit 19.75 Assembled with 15 Side Flow Nozzles 1/2" & 1 End Cap 1/2"			1/2" 90° Spray Bar Nozzle 51831 pack of 2 6.65 59881 pack of 20 46.20			3/8" SAE Flare Nut Adapter 51823 pack of 4 6.10 59873 pack of 20 24.00 • 5/8 - 18 Thread	
	1/2" Segment Pack 51801 2 - Segments, 5 1/2" Long 6.65 59860 Bulk 25 ft., 59 Segm'ts 154.00 59861 1/2" 50 Foot Coil 308.00			1" Flare Nozzle 51807 pack of 2 6.65 59867 pack of 20 46.20			1/2" Elbow Fitting 51824 pack of 2 6.20 59874 pack of 20 48.60	
				2" Flare Nozzle 51809 pack of 2 7.65 59871 pack of 20 50.60				


Part No. Description List Price



1/2" T Fitting		
	51825 pack of 2 \$ 7.30	59875 pack of 20 57.65



1/2" Side Flow Nozzle		
	51836 pack of 4 7.40	59889 pack of 20 26.95

1/2" End Cap		
	51838 pack of 4 4.45	59885 pack of 20 17.60

2 1/2" Swivel Nozzle 75 for 1/2"		
	51845 pack of 2 9.75	59895 pack of 20 78.00
	• .075" Hole diameter	


1/2" In-Line Check Valve		
	32091 pack of 2 12.05	39851 pack of 10 53.85


	1 1/4" Straight Flow Nozzle	
	51847 pack of 2 6.65	59897 pack of 20 46.20


	1 1/2" Straight Flow Nozzle	
	51848 pack of 2 7.65	59898 pack of 20 50.60

	1/2" Nozzle-Rama Pack	
	51849 One of each nozzle for 1/2" hose system. (16 nozzles)	26.95

Part No. Description List Price


1/2" Male NPT Valve*		
	32092 pack of 2 \$ 12.05	39852 pack of 10 53.85

1/2" Female NPT Valve*		
	32093 pack of 2 12.05	39853 pack of 10 53.85


1/2" In-Line Valve*		
	32094 pack of 2 12.05	39854 pack of 10 53.85


*** 1/2" Valve Specifications**


- Full 1/2" inside diameter
- Maximum Working Pressures:
1/2" Hose: 20 PSI
1/2" In-Line Valve: 20 PSI
1/2" Male and Female NPT Valves: 100 PSI
(1/2" Hose limits most applications to 20 PSI)
- Body and stem material: Acetal Copolymer
- Stem seal: Nitrile (Buna N)
- 1/4 turn shut off


1/2" Hose Assembly Pliers		
	78002 one 1/2" pliers 10.95	78003 1/4" & 1/2" pliers set 19.75


Part No. Description List Price


1/2" Flat Slot 80 Nozzle		
	51840 pack of 4 \$ 7.00	59890 pack of 20 28.00
	• .080" Slot height	


1/2" Flat Slot 125 Nozzle		
	51841 pack of 4 7.00	59891 pack of 20 28.00
	• .125" Slot height	

1/2" Flat 5 Hole Nozzle		
	51842 pack of 4 7.00	59892 pack of 20 28.00
	• .125" Hole diameter	

1/2" Flat 7 Hole Nozzle		
	51843 pack of 4 7.00	59893 pack of 20 28.00
	• .080" Hole diameter	

1/2" Flat Nozzle Assortment		
	51844 1/2" Flat Nozzle Assortment 7.00	
	Includes one each of: Flat Slot 80 Nozzle Flat Slot 125 Nozzle Flat 5 Hole Nozzle Flat 7 Hole Nozzle	

1/2" Fixed Mount		
	51895 pack of 2 4.55	59896 pack of 20 38.50
	• Mounts with 1/4" bolt, not included.	

1/2" Magnetic Base		
	51846 pack of 1 12.75	
	• 60# holding force	

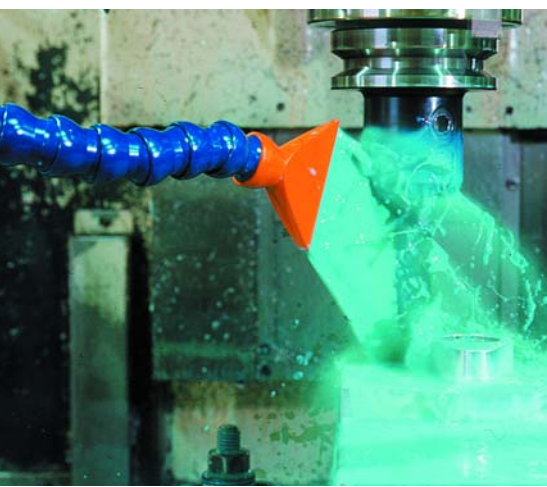





DIMENSIONAL INFORMATION FOR THE 1/2" SYSTEM ON PAGE 18

3/4" SYSTEM & SHIELDS

3/4" INSIDE DIAMETER

Part No.	Description	List Price
	60513 3/4" Hose Kit 14" Length with Fittings: 2 - Segments, 5 3/4" Long 5/8" & 3/4" Nozzles 3/4" Male NPT Connector	\$ 10.95
	3/4" Segment Pack	
61501	2 - Segments, 5 3/4" Long	8.30
69540	Bulk 25 ft., 54 Segm'ts	180.00
69541	3/4" 50 Foot Coil	360.00



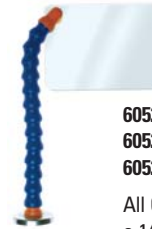
	5/8" Round Nozzle	
61503	pack of 4	5.45
69543	pack of 50	53.35
	3/4" Round Nozzle	
61502	pack of 4	5.45
69542	pack of 50	53.35
	3" Flare Nozzle	
61507	pack of 2	8.75
69547	pack of 20	65.55

- * **3/4" Valve Specifications**
- Full 3/4" inside diameter
- Maximum Working Pressures:
3/4" Hose: 10 PSI
3/4" In-Line Valve: 10 PSI
3/4" Male and Female NPT Valves: 50 PSI
(3/4" Hose limits most applications to 10 PSI)
- Body and stem material: Acetal Copolymer
Stem seal: Nitrile (Buna N)
- 1/4 turn shut off

	3/4" NPT Connector	
61505	pack of 4	\$ 5.45
69545	pack of 50	53.35
	3/4" BSPT* Connector	
61509	pack of 4	5.45
69549	pack of 50	53.35
	* British Standard Pipe Thread	
	3/4" Y Fitting	
61511	pack of 2	8.75
69551	pack of 20	65.55
	3/4" to 1/2" Y Reducer	
61512	pack of 2	8.75
69552	pack of 20	65.55
	3/4" to 1/2" Adapter	
61508	pack of 2	6.00
69548	pack of 20	47.95
	3/4" Double Socket	
61514	pack of 4	6.05
69554	pack of 20	24.20
	3/4" Elbow	
61515	pack of 2	7.10
69555	pack of 20	58.80
	3/4" Male NPT Valve*	
61516	pack of 2	14.95
69556	pack of 10	66.50
	3/4" Female NPT Valve*	
61517	pack of 2	14.95
69557	pack of 10	66.50
	3/4" Inline Valve*	
61518	pack of 2	14.95
69558	pack of 10	66.50

SHIELDS AND ACCESSORIES

Provides protection from flying chips and splashing fluids • Shield rotates 360 degrees
• Two mounting options include a movable magnetic base or a direct mount • 1/8" thick polycarbonate • Filled magnetic base prevents chip entrapment



Quick-Set Shield™ Kit

60525	6"x8" Shield Kit	\$ 28.55
60526	7 1/2"x10" Shield Kit	30.75
60527	8 1/2"x12" Shield Kit	32.95

All Quick-Set Shield Kits include a 14" adjustable 3/4" Loc-Line® arm, magnetic base and fitting for fixed mounting.

Replacement Shield

60528	6"x8" Shield	7.65
60529	7 1/2"x10" Shield	9.85
60530	8 1/2"x12" Shield	12.05

Shield Mounting Elbow



60531	pack of 2	7.65
--------------	-----------	------

• Washer and screw included.

3/4" Magnetic Base



60532	pack of one	13.15
--------------	-------------	-------

• 60# holding force

3/4" Fixed Mount



60533	pack of 2	5.90
--------------	-----------	------

• Mounts with 1/4" bolt, not included.

3/4" Hose Assembly Pliers



78004	pack of one	13.95
--------------	-------------	-------

DIMENSIONAL INFORMATION FOR THE 3/4" SYSTEM ON PAGE 19

MODULAR MANIFOLDS

Part No. Description List Price

MODULAR MANIFOLDS & TOTAL FLOW CONTROL MANIFOLDS

Distribute coolant from one inlet to multiple outlets • Number of outlets can be changed simply by popping T fittings in or out of the assembly • Adding valves to a Modular Manifold creates the Total Flow Control Manifold • Regulate the flow from each line independently • Shut off any unnecessary lines

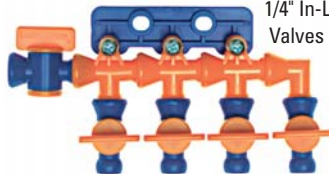
21199 1/4" Modular Manifold \$13.15

1/4" T Fittings - 3 pcs
1/4" Elbow Fitting - 1 pc
1/4" Man. Bracket - 1 pc
Mounting Screws - 3 pcs



21198 1/4" Total Flow Control Manifold 31.85

1/4" Mod. Manifold - 1 pc
1/4" In-Line Valves - 5 pcs



1/4" Modular Manifold Brackets

21195 pack of 2 **4.35**



1/4" Elbow Fitting

41415 pack of 2 **5.45**
49435 pack of 20 **42.45**



1/4" T Fitting

41416 pack of 2 **6.55**
49436 pack of 20 **51.25**



Part No. Description List Price

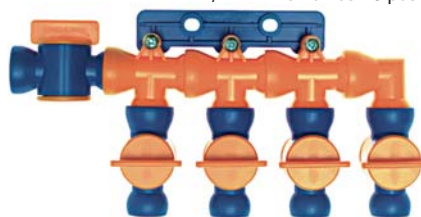
32099 1/2" Modular Manifold \$14.25

1/2" T Fittings - 3 pcs
1/2" Elbow Fitting - 1 pc
1/2" Man. Bracket - 1 pc
Mounting Screws - 3 pcs



32098 1/2" Total Flow Control Manifold 37.35

1/2" Modular Manifold - 1 pc
1/2" In-Line Valves - 5 pcs



1/2" Modular Manifold Bracket

32095 pack of 2 **5.45**



1/2" Elbow Fitting

51824 pack of 2 **6.20**
59874 pack of 20 **48.60**



1/2" T Fitting

51825 pack of 2 **7.30**
59875 pack of 20 **57.65**



Part No. Description List Price

MAGNETIC BASE MANIFOLD

Magnetic Manifold allows distribution of coolant through 4 separate openings from one source • Magnet can mount on spindle or worktable for convenient access to the work piece • 1/4" ports accept any 1/4" standard fitting.

40480 Magnetic Base Manifold Super Kit \$79.95

1/4" Segments - 8 pcs
1/4" MNPT Valves - 5 pcs
1" Flare Nozzle - 2 pcs
1/4" Round Nozzle - 2 pcs
1/8" Round Nozzle - 2 pcs
1/16" Round Nozzle - 2 pcs
Mag. Base Manifold - 1 pc
1/4" Plug - 2 pcs
1/4" Barb Fitting - 1 pc



40463 Magnetic Base Manifold Kit 41.95

1/4" Segments - 2 pcs
1/4" MNPT Valves - 1 pc
1" Flare Nozzle - 1 pc
1/4" Round Nozzle - 1 pc
1/8" Round Nozzle - 1 pc
1/16" Round Nozzle - 1 pc
Mag. Base Manifold - 1 pc
1/4" Plug - 3 pcs
1/4" Barb Fitting - 1 pc



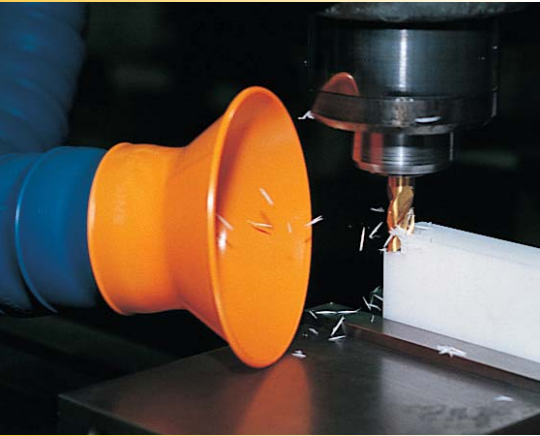
40400 Magnetic Base Manifold 25.95

1/4" Plug - 3 pcs
1/4" Barb Fitting - 1 pc
• 25# holding force



DIMENSIONAL INFORMATION FOR THE MANIFOLDS ON PAGE 19

VACUUM HOSE



The LOC-LINE® 2½" Vacuum Hose is designed to be added to an existing central vacuum system to extract smoke, dust, fumes and particles at the source. It is easy to position within a work area and can be mounted to 3" thin walled PVC drain pipe, 3" sheet metal duct, or a portable shop vacuum.

VACUUM HOSE APPLICATIONS

- Soldering
- Wet Grinding
- Machining applications; especially mist, graphite and particles
- Chemical odors and fumes (except acids)
- Woodworking

VACUUM HOSE FEATURES

Create a custom vacuum hose by changing the length or the nozzle. Pop together the appropriate number of elements and choose the nozzle best suited for your application.

- Hand adjustable in 360°.
- Simple to reposition. It is self-supporting up to 3 feet so it stays where you put it.
- Durable, will not fray and is resistant to crushing.
- Made of premium grade acetal copolymer and is resistant to most chemicals.
- Tight turns are easy with a bending radius of 5.75".
- Anti-static hose is perfect for applications that require rapid dissipation of static build-up.

TEMPERATURE SPECIFICATIONS

- Melting point: 329°F
- Maximum operating temperature: 170°F

ANTI-STATIC HOSE ELECTRICAL PROPERTIES

- Surface Resistivity: 1.000E3 Ohm
- Volume Resistivity: <6.000E2 Ohm-cm

CAUTION

LOC-LINE® Vacuum Hose is made from an acetal copolymer. This material is not fire retardant and would pose a fire hazard if the material is subjected to an application where high temperatures or flames exist.

The Anti-Static Hose must be used within a completely grounded system.



NEW BLACK "ANTI-STATIC" VACUUM HOSE DISSIPATES STATIC BUILD-UP.

Part No. Description List Price

Vacuum Segment Packs

- 81201 9 elements 2.5" ID \$ 13.95
- 81301AS anti-static, 9 elm'ts 16.00
(1 foot segment)
- 81202 18 elements 2.5" ID 25.95
- 81302AS anti-static, 18 elm'ts 29.85
(2 - one foot segments)
- 89220 180 elements 2.5" ID 230.00
- 89320AS anti-static, 180 elm'ts 264.50
(20 - one foot segments)



4.5" Round Nozzle

- 81203 pack of 1 4.95
- 81303AS anti-static, pack of 1 5.70
- 89223 pack of 10 45.00
- 89323AS anti-static, pack of 10 51.75



6"x3.5" Rectangular Nozzle

- 81204 pack of 1 4.95
- 81304AS anti-static, pack of 1 5.70
- 89224 pack of 10 45.00
- 89324AS anti-static, pack of 10 51.75



Tapered Oval Nozzle

- 81205 pack of 1 4.95
- 81305AS anti-static, pack of 1 5.70
- 89225 pack of 10 45.00
- 89325AS anti-static, pack of 10 51.75



3" PVC Adapter

- 81206 pack of 1 3.95
 - 89226 pack of 10 35.00
- * Not available in "anti-static"



3" Sheet Metal Duct Adapter

- 81207 pack of 1 3.95
- 81307AS anti-static, pack of 1 4.55
- 89227 pack of 10 35.00
- 89327AS anti-static, pack of 10 40.25



2.5" Slide Valve

- 81208 pack of 1 11.95
- 81308AS anti-static, pack of 1 13.75
- 89228 pack of 10 107.55
- 89328AS anti-static, pack of 10 123.70



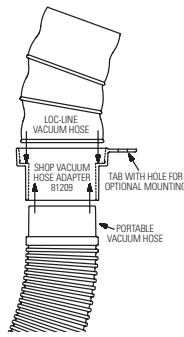
Shop Vacuum Hose Adapter with mounting tab

- 81209 pack of 1 3.95
- 89229 pack of 10 35.00

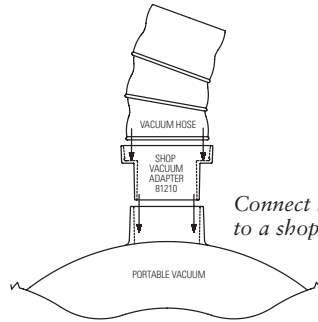


Shop Vacuum Adapter

- 81210 pack of 1 3.95
- 89230 pack of 10 35.00

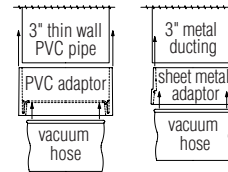


Connect hose directly to a standard shop vacuum hose



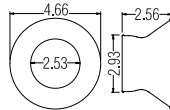
Connect hose directly to a shop vacuum

MOVE YOUR DUST COLLECTION TO THE SOURCE

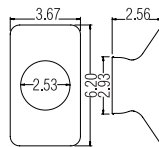


Hose connects to 3" metal duct or PVC pipe using Loc-Line adapters

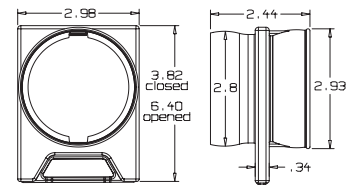
ROUND NOZZLE 81203



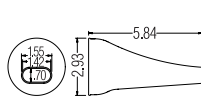
RECTANGULAR NOZZLE 81204



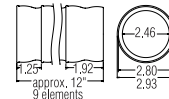
SLIDE VALVE 81208



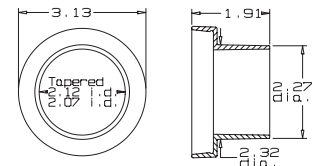
TAPERED OVAL NOZZLE 81205



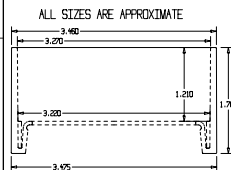
ELEMENTS 81201



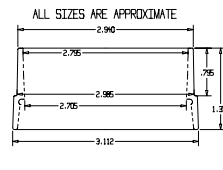
SHOP VACUUM ADAPTER 81210



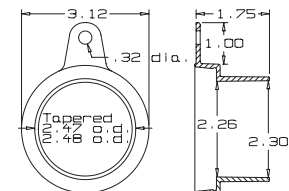
PVC ADAPTER 81206



SHEET METAL DUCT ADAPTER 81207



SHOP VACUUM HOSE ADAPTER WITH MOUNTING TAB 81209



ACID RESISTANT HOSE & TEFEN FITTINGS

Part No. Description List Price Part No. Description List Price Part No. Description List Price

1/4" ACID RESISTANT HOSE

45463	1/4" Acid Resistant Hose Kit	\$ 9.85
45401	1/4" Acid Resistant Segm't Pack, (2 Segments, 5 1/2" Long)	7.35
46420	1/4" Acid Resistant Segm'ts, Bulk 25 ft.	162.00
46421	1/4" 50 Foot Acid Resistant Coil	324.00
45402	1/16" Acid Resistant Nozzles, pack of 4	4.90
46422	1/16" Acid Resistant Nozzles, pack of 50	48.20
45403	1/8" Acid Resistant Nozzles, pack of 4	4.90
46423	1/8" Acid Resistant Nozzles, pack of 50	48.20
45404	1/4" Acid Resistant Nozzles, pack of 4	4.90
46424	1/4" Acid Resistant Nozzles, pack of 50	48.20
45407	1" Acid Resistant Flares, pack of 2	7.35
46427	1" Acid Resistant Flares, pack of 20	52.25
45405	1/8" Acid Resistant NPTs, pack of 4	4.90
46425	1/8" Acid Resistant NPTs, pack of 50	48.20
45406	1/4" Acid Resistant NPTs, pack of 4	4.90
46426	1/4" Acid Resistant NPTs, pack of 50	48.20
45408	1/4" Acid Resistant Y Fittings, pack of 2	7.35
46428	1/4" Acid Resistant Y Fittings, pack of 20	52.25
45409	1/4" Acid Resistant Double Socket, pack of 4	5.20
46429	1/4" Acid Resistant Double Socket, pack of 20	20.50
45411	1/4" Socket to 1/8" FNPT Acid Resistant, pack of 4	6.20
46431	1/4" Socket to 1/8" FNPT Acid Resistant, pack of 20	24.55
45415	1/4" Acid Resistant Elbows, pack of 2	6.80
46435	1/4" Acid Resistant Elbows, pack of 20	53.10
45416	1/4" Acid Resistant T Fittings, pack of 2	8.20
46436	1/4" Acid Resistant T Fittings, pack of 20	64.10
45481	1/4" Acid Resistant Swivel Nozzle 40, pack of 2	10.50
46449	1/4" Acid Resistant Swivel Nozzle 40, pack of 20	84.00
45482	1/4" Acid Resistant Swivel Nozzle 60, pack of 2	10.50
46450	1/4" Acid Resistant Swivel Nozzle 60, pack of 20	84.00

1/2" ACID RESISTANT HOSE

56863	1/2" Acid Resistant Hose Kit	\$ 11.05
56801	1/2" Acid Resistant Segment Pack, (2 Segments, 5 1/2" Long)	8.30
57860	1/2" Acid Resistant Segm'ts, Bulk 25 ft.	192.50
57861	1/2" 50 Foot Acid Resistant Coil	385.00
56806	1/4" Acid Resistant Nozzles, pack of 4	5.55
57866	1/4" Acid Resistant Nozzles, pack of 50	55.00
56802	3/8" Acid Resistant Nozzles, pack of 4	5.55
57862	3/8" Acid Resistant Nozzles, pack of 50	55.00
56803	1/2" Acid Resistant Nozzles, pack of 4	5.55
57863	1/2" Acid Resistant Nozzles, pack of 50	55.00
56804	3/8" Acid Resistant NPTs, pack of 4	5.55
57864	3/8" Acid Resistant NPTs, pack of 50	55.00
56805	1/2" Acid Resistant NPTs, pack of 4	5.55
57865	1/2" Acid Resistant NPTs, pack of 50	55.00
56807	1 1/4" Acid Resistant Flare Nozzles, pack of 2	8.30
57867	1 1/4" Acid Resistant Flare Nozzles, pack of 20	57.65
56808	1/2" Acid Resistant Y Fittings, pack of 2	8.00
57868	1/2" Acid Resistant Y Fittings, pack of 20	55.40
56821	1/2" to 1/4" Acid Resistant Adapter, pack of 2	5.90
57869	1/2" to 1/4" Acid Resistant Adapter, pack of 20	50.10
56822	1/2" to 1/4" Acid Resistant Y Reducer, pack of 2	8.00
57870	1/2" to 1/4" Acid Resistant Y Reducer, pack of 20	55.40
56824	1/2" Acid Resistant Elbows, pack of 2	6.80
57874	1/2" Acid Resistant Elbows, pack of 20	53.10
56825	1/2" Acid Resistant T Fittings, pack of 2	8.20
57875	1/2" Acid Resistant T Fittings, pack of 20	64.10

- Loc-Line® Acid Resistant Hose is excellent for rinsing cycles in plating operations.
 - Acid environments won't corrode the Loc-Line® Acid Resistant Hose because of its polyester composition.
- CAUTION:** Loc-Line® Acid Resistant Hose is not intended for conveying acids or high pressure applications.

TEFEN™ THREADED COUPLINGS & REDUCERS



These items change male fittings to female threads. Tefen™ products are made in Israel.



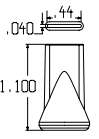
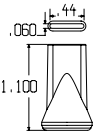
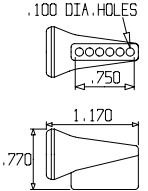
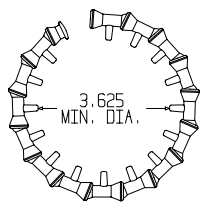
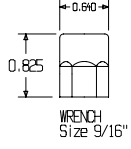
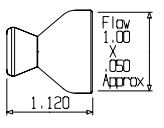
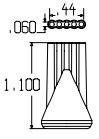
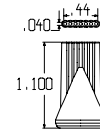
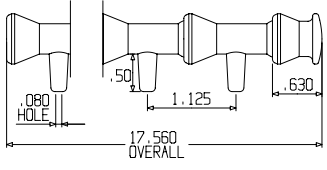
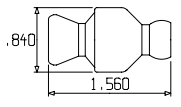
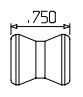
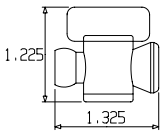
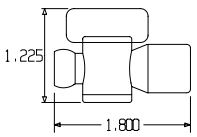
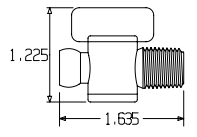
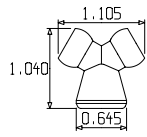
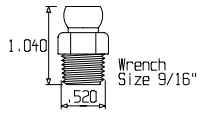
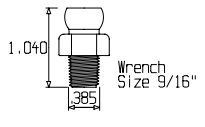
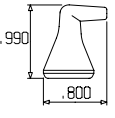
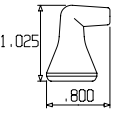
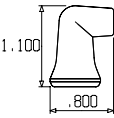
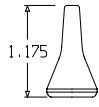
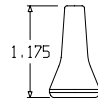
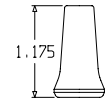
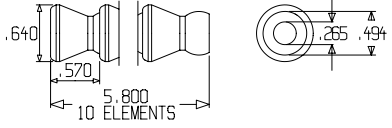

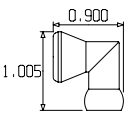
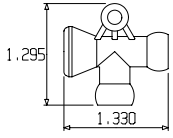
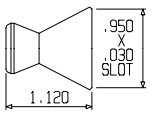
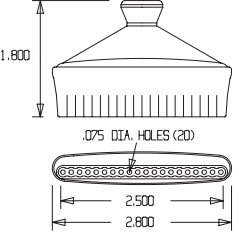
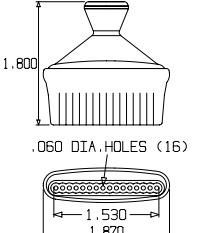
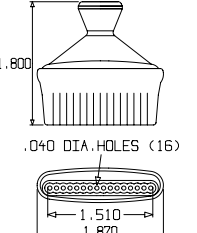
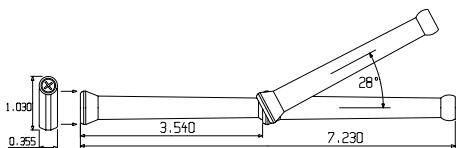
40656	1/8" Female Pipe Couplings, pack of 4	\$ 3.90
41756	1/8" Female Pipe Couplings, pack of 20	15.40
40657	1/4" Female Pipe Couplings, pack of 4	3.90
41757	1/4" Female Pipe Couplings, pack of 20	15.40
50660	3/8" Female Pipe Couplings, pack of 4	4.45
51760	3/8" Female Pipe Couplings, pack of 20	17.60
50661	1/2" Female Pipe Couplings, pack of 4	4.45
51761	1/2" Female Pipe Couplings, pack of 20	17.60
40655	1/4" to 1/8" Female Pipe Reducers, pack of 4	3.90
41755	1/4" to 1/8" Female Pipe Reducers, pack of 20	15.40
50658	3/8" to 1/4" Female Pipe Reducers, pack of 4	4.45
51758	3/8" to 1/4" Female Pipe Reducers, pack of 20	17.60
50659	1/2" to 1/4" Female Pipe Reducers, pack of 4	4.45
51759	1/2" to 1/4" Female Pipe Reducers, pack of 20	17.60

Common Compatibility with Polyester Products Acid Resistant Loc-Line® Yellow Color

No	Yes	Acetone
	Yes	Acids, (Less than 150° F)
No		Acids, (Greater than 150° F)
	Yes	Alcohols
	Yes	Aromatic Solvents
No		Chlorinated Hydrocarbon
No		Bases, Strong
No		Ethyl Acetate
	Yes	Gasoline
	Yes	Greases
	Yes	Hydrocarbons
	Yes	Oils
	Yes	Salt Solutions
No		Water (Greater than 150° F)

SPECIFICATIONS

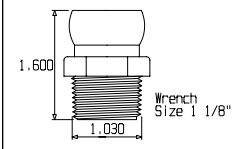
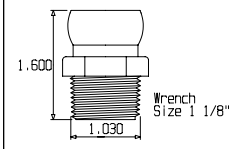
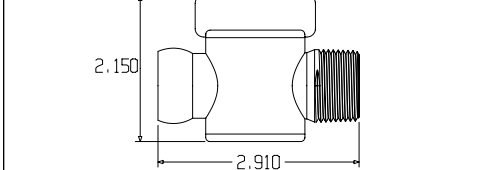
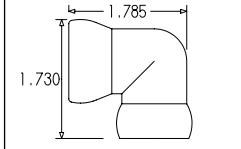
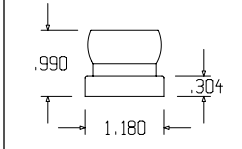
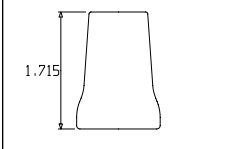
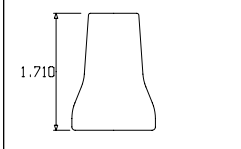
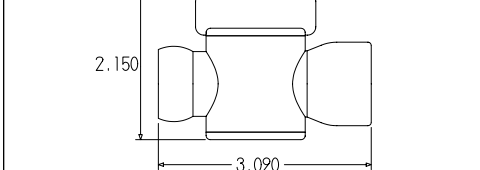
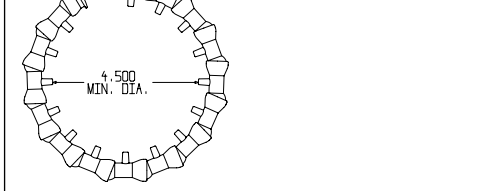
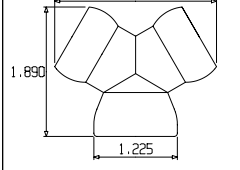
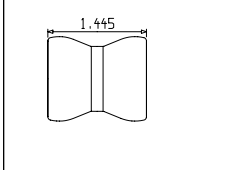
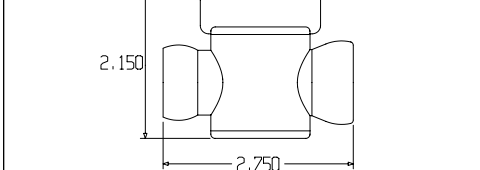
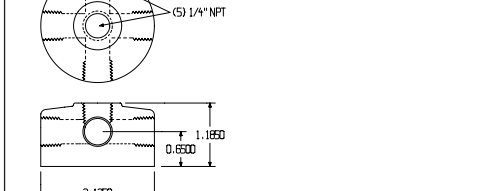
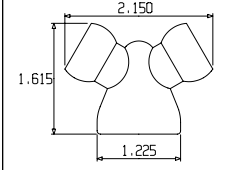
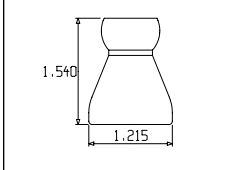
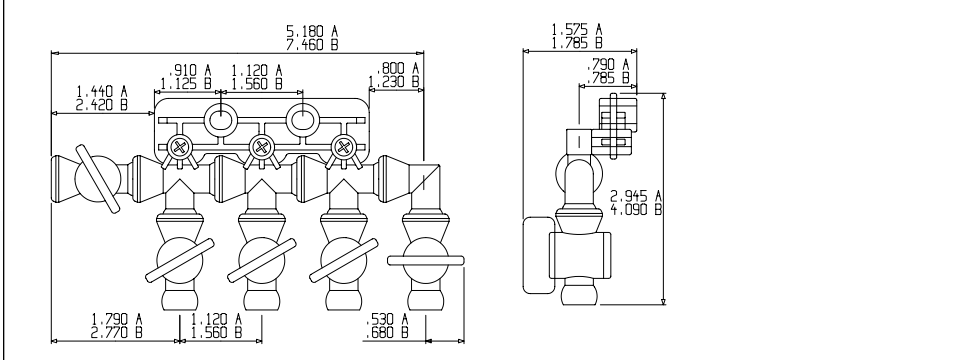
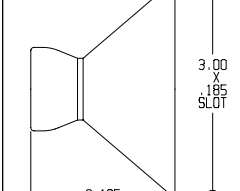
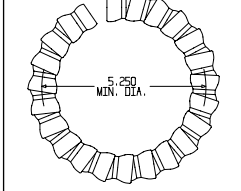
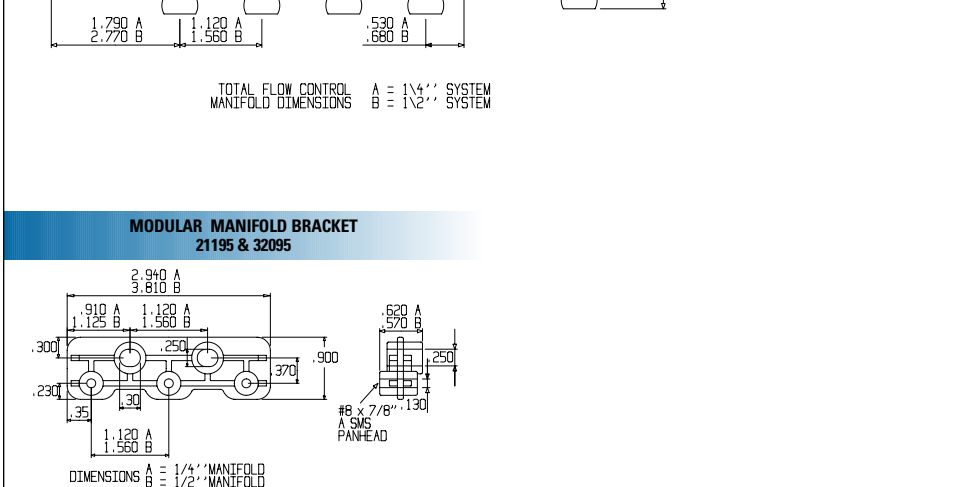
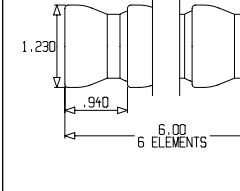
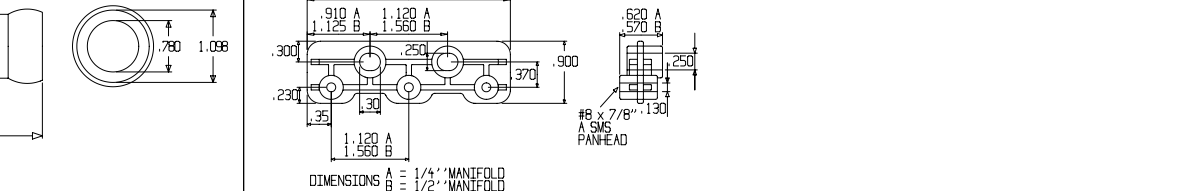
1/4" SYSTEM

<p>1/4" FLAT SLOT 40 NOZZLE 41483</p> 	<p>1/4" FLAT SLOT 60 NOZZLE 41484</p> 	<p>1/4" 90° SPRAY BAR NOZZLE 41473</p> 	<p>1/4" CIRCLE FLOW ASSEMBLY 41479</p> 	<p>1/4" SOCKET TO 1/8" FNPT 41411</p> 	<p>1" STRAIGHT FLOW NOZZLE 41489</p> 
<p>1/4" FLAT 5 HOLE NOZZLE 41485</p> 	<p>1/4" FLAT 7 HOLE NOZZLE 41486</p> 	<p>1/4" CIRCLE FLOW ASSEMBLY 41479</p> 		<p>1/4" IN-LINE CHECK VALVE 21191</p> 	<p>1/4" DOUBLE SOCKET 41409</p> 
<p>1/4" IN-LINE VALVES 21194</p> 	<p>1/4" FEMALE NPT VALVE 21193</p> 	<p>1/4" MALE NPT VALVE 21192</p> 	<p>1/4" Y FITTING 41408</p> 	<p>1/4" NPT CONNECTOR 41406</p> 	<p>1/8" NPT CONNECTOR 41405</p> 
<p>1/16" 90° NOZZLE 41470</p> 	<p>1/8" 90° NOZZLE 41471</p> 	<p>1/4" 90° NOZZLE 41472</p> 	<p>1/16" ROUND NOZZLE 41402</p> 	<p>1/8" ROUND NOZZLE 41403</p> 	<p>1/4" ROUND NOZZLE 41404</p> 
<p>1/4" HOSE 41401</p> 		<p>1/4" HOSE MINIMUM DIAMETER</p> 	<p>1/4" ELBOW FITTING 41415</p> 	<p>1/4" T FITTING 41416</p> 	<p>1" FLARE NOZZLE 41407</p> 
<p>SWIVEL NOZZLE 75 41488</p> 		<p>SWIVEL NOZZLE 60 41482</p> 	<p>SWIVEL NOZZLE 40 41481</p> 	<p>1/4" EXTENDED ELEMENT & CLAMP 41476 & 41477</p> 	

1/2" SYSTEM

SPECIFICATIONS

<p>1/2" FLAT 7 HOLE NOZZLE 51843</p>	<p>1/2" FLAT 5 HOLE NOZZLE 51842</p>	<p>1/2" SEGMENT 51801</p>		<p>1/4" STRAIGHT FLOW NOZZLE 51847</p>	<p>1/4" STRAIGHT FLOW NOZZLE 51848</p>	
<p>1/2" FLAT SLOT 125 NOZZLE 51841</p>	<p>1/2" FLAT SLOT 80 NOZZLE 51840</p>	<p>1/4" FLARE NOZZLE 51807</p>	<p>1/2" DOUBLE SOCKET 51811</p>	<p>1/4" ROUND NOZZLE 51806</p>	<p>1/4" 90° NOZZLE 51828</p>	
<p>1/2" HOSE MINIMUM BENDING DIAMETER</p>		<p>1/2" NPT CONNECTOR 51805</p>	<p>3/8" NPT CONNECTOR 51804</p>	<p>1/2" TO 1/4" Y REDUCER 51822</p>	<p>3/8" ROUND NOZZLE 51802</p>	<p>3/8" 90° NOZZLE 51829</p>
<p>2 1/2" FLARE NOZZLE 51809</p>	<p>1/2" FEMALE VALVE 32093</p>	<p>1/2" MALE VALVE 32092</p>	<p>1/2" IN-LINE VALVE 32094</p>	<p>1/2" ROUND NOZZLE 51803</p>	<p>1/2" 90° NOZZLE 51830</p>	
<p>1/2" CIRCLE FLOW ASSEMBLY 51837</p>		<p>1/2" ELBOW FITTING 51824</p>	<p>1/2" T FITTING 51825</p>	<p>1/2" to 1/4" ADAPTER 51821</p>	<p>1/2" IN-LINE CHECK VALVE 32091</p>	
<p>1/2" Y FITTING 51808</p>	<p>1/2" EXTENDED ELEMENT & CLAMP 51833 & 51834</p>		<p>1/2" FIXED MOUNT 51895</p>	<p>2 1/2" SWIVEL NOZZLE 75 51845</p>	<p>1/2" 90° SPRAY BAR NOZZLE 51831</p>	

<p>3/4" NPT CONNECTOR 61505</p> 	<p>3/4" BSPT CONNECTOR 61509</p> 	<p>3/4" MALE NPT VALVE 61516</p> 	<p>3/4" ELBOW 61515</p> 	<p>3/4" FIXED MOUNT 60533</p> 
<p>3/4" ROUND NOZZLE 61502</p> 	<p>5/8" ROUND NOZZLE 61503</p> 	<p>3/4" FEMALE NPT VALVE 61517</p> 	<p>1/2" CIRCLE FLOW NOZZLE KIT 61837</p> 	
<p>3/4" Y FITTING 61511</p> 	<p>3/4" DOUBLE SOCKET 61514</p> 	<p>3/4" INLINE VALVE 61518</p> 	<p>MAGNETIC BASE MANIFOLD 40400</p> 	
<p>3/4" TO 1/2" Y REDUCER 61512</p> 	<p>3/4" to 1/2" ADAPTER 61508</p> 	<p>TOTAL FLOW CONTROL MANIFOLD 21198 & 32098</p> 		
<p>3" FLARE NOZZLE 61507</p> 	<p>3/4" HOSE MINIMUM BENDING DIAMETER</p> 	<p>MODULAR MANIFOLD BRACKET 21195 & 32095</p> 		
<p>3/4" SEGMENT 61501</p> 	<p>MODULAR MANIFOLD BRACKET 21195 & 32095</p> 			

PART NUMBER INDEX

Part No.	Description	List Price	Page	Part No.	Description	List Price	Page	Part No.	Description	List Price	Page
21191	1/4" In-Line Check Valve (2 pcs)	\$ 9.85	9	41478	1/4" Side Flow Nozzle (4 pcs)	\$ 6.55	9	49428	1/4" Y Fitting (20 pcs)	\$ 41.80	8
21192	1/4" Male NPT Valve (2 pcs)	9.85	9	41479	1/4" Circle Flow Kit	17.55	9	49429	1/4" Double Socket (20 pcs)	17.15	8
21193	1/4" Female NPT Valve (2 pcs)	9.85	9	41480	1/4" End Caps (4 pcs)	3.90	9	49431	1/4" Socket X 1/8" FNPT (20 pcs)	19.60	8
21194	1/4" In-Line Valve (2 pcs)	9.85	9	41481	Swivel Nozzle 40 (2 pcs)	8.75	9	49432	3/8" SAE Flare Nut Adapter (20 pcs)	23.10	8
21195	1/4" Manifold Bracket (2pcs)	4.35	13	41482	Swivel Nozzle 60 (2 pcs)	8.75	9	49434	1/4" SAE Flare Nut Adapter (20 pcs)	23.10	8
21198	1/4" Total Flow Control Manifold	31.85	13	41483	1/4" Flat Slot 40 Nozzle (4 pcs)	6.25	9	49435	1/4" Elbows (20 pcs)	42.45	8,13
21199	1/4" Modular Manifold	13.15	13	41484	1/4" Flat Slot 60 Nozzle (4 pcs)	6.25	9	49436	1/4" T Fitting (20 pcs)	51.25	9,13
29451	1/4" In-Line Check Valve (10 pcs)	43.95	9	41485	1/4" Flat 5 Hole Nozzle (4 pcs)	6.25	9	49437	1/8" BSPT/PT (50 pcs)	38.50	8
29452	1/4" Male NPT Valve (10 pcs)	43.95	9	41486	1/4" Flat 7 Hole Nozzle (4 pcs)	6.25	9	49438	1/4" BSPT/PT (50 pcs)	38.50	8
29453	1/4" Female NPT Valve (10 pcs)	43.95	9	41487	1/4" Flat Nozzle Assortment Pack	6.25	9	49439	1/16" 90° Nozzle (20 pcs)	21.55	8
29454	1/4" In-Line Valve (10 pcs)	43.95	9	41488	2 1/2" Swivel Noz. 75 for 1/4" (2 pcs)	9.25	9	49440	1/8" 90° Nozzle (20 pcs)	21.55	8
32091	1/2" In-Line Check Valve (2 pcs)	12.05	11	41489	1" Straight Flow Nozzle (2 pcs)	5.90	9	49441	1/4" 90° Nozzle (20 pcs)	21.55	8
32092	1/2" Male NPT Valve (2 pcs)	12.05	11	41490	1/4" Nozzle-Rama Pack	24.95	9	49442	1/4" Spray Bar 90° Nozzle (20 pcs)	41.80	8
32093	1/2" Female NPT Valve (2 pcs)	12.05	11	41755	1/4" to 1/8" Female Reducer (20 pcs)	15.40	16	49443	1/4" Side Flow Nozzles (20 pcs)	24.20	9
32094	1/2" In-Line Valve (2 pcs)	12.05	11	41756	1/8" Female Pipe Coupling (20 pcs)	15.40	16	49445	1/4" Extended Elements (20 pcs)	35.00	8
32095	1/2" Manifold Bracket (2 pcs)	5.45	13	41757	1/4" Female Pipe Coupling (20 pcs)	15.40	16	49446	1/4" Element Clamps (20 pcs)	24.75	8
32098	1/2" Total Flow Control Manifold	37.35	13	45401	1/4" AR Segment Pack (2 pcs)	7.35	16	49447	1/4" End Caps (20 pcs)	15.40	8
32099	1/2" Modular Manifold	14.25	13	45402	1/16" AR Nozzle Pack (4 pcs)	4.90	16	49448	1/4" 4 way Cross (20 pcs)	45.60	
39851	1/2" In-Line Check Valve (10 pcs)	53.85	11	45403	1/8" AR Nozzle Pack (4 pcs)	4.90	16	49449	1/4" Swivel Nozzle 40 (20 pcs)	70.35	9
39852	1/2" Male NPT Valve (10 pcs)	53.85	11	45404	1/4" AR Nozzle Pack (4 pcs)	4.90	16	49450	1/4" Swivel Nozzle 60 (20 pcs)	70.35	9
39853	1/2" Female NPT Valve (10 pcs)	53.85	11	45405	1/8" AR NPT Pack (4 pcs)	4.90	16	49451	1/4" Flat Slot 40 Nozzle (20 pcs)	25.00	9
39854	1/2" In-Line Valve (10 pcs)	53.85	11	45406	1/4" AR NPT Pack (4 pcs)	4.90	16	49452	1/4" Flat Slot 60 Nozzle (20 pcs)	25.00	9
40400	Magnetic Base Manifold	25.95	13	45407	1" AR Flare Nozzle (2 pcs)	7.35	16	49453	1/4" Flat 5 Hole Nozzle (20 pcs)	25.00	9
40413	1/4" Hose Assembly Kit	7.85	8	45408	1/4" AR Y Fitting (2 pcs)	7.35	16	49454	1/4" Flat 7 Hole Nozzle (20 pcs)	25.00	9
40452	1/4" Flared Tubing Kit	28.55	8	45409	1/4" AR Double Socket (4 pcs)	5.20	16	49455	2 1/2" Swivel Noz. 75 for 1/4" (20 pcs)	74.00	9
40463	Magnetic Base Manifold Kit	41.95	13	45411	1/4" AR Socket X 1/8"FNPT (4 pcs)	6.20	16	49456	1" Straight Flow Nozzle (20 pcs)	41.80	9
40480	Magnetic Base Manifold Super Kit	79.95	13	45415	1/4" AR Elbow (2 pcs)	6.80	16	50658	3/8" to 1/4" FNPT Reducer (4 pcs)	4.45	16
40655	1/4" to 1/8" Pipe Reducer (4 pcs)	3.90	16	45416	1/4" AR T Fitting (2 pcs)	8.20	16	50659	1/2" to 1/4" FNPT Reducer (4 pcs)	4.45	16
40656	1/8" Female Pipe Coupling (4 pcs)	3.90	16	45463	1/4" AR Hose Assembly Kit	9.85	16	50660	3/8" Female Coupling (4 pcs)	4.45	16
40657	1/4" Female Pipe Coupling (4 pcs)	3.90	16	45481	1/4" AR Swivel Nozzle 40 (2 pcs)	10.50	16	50661	1/2" Female Coupling (4 pcs)	4.45	16
41401	1/4" Hose Segment Pack (2 pcs)	5.90	8	45482	1/4" AR Swivel Nozzle 60 (2 pcs)	10.50	16	50813	1/2" Hose Assembly Kit	8.85	10
41402	1/16" Nozzle Pack (4 pcs)	3.90	8	46420	1/4" AR Segments (25 ft)	162.00	16	51758	3/8" to 1/4" FNPT Reducer (20 pcs)	17.60	16
41403	1/8" Nozzle Pack (4 pcs)	3.90	8	46421	1/4" AR 50 ft. Coil	324.00	16	51759	1/2" to 1/4" FNPT Reducer (20 pcs)	17.60	16
41404	1/4" Nozzle Pack (4 pcs)	3.90	8	46422	1/16" AR Nozzles (50 pcs)	48.20	16	51760	3/8" Female Coupling (20 pcs)	17.60	16
41405	1/8" NPT Pack (4 pcs)	3.90	8	46423	1/8" AR Nozzles (50 pcs)	48.20	16	51761	1/2" Female Coupling (20 pcs)	17.60	16
41406	1/4" NPT Pack (4 pcs)	3.90	8	46424	1/4" AR Nozzles (50 pcs)	48.20	16	51801	1/2" Hose Segment Pack (2 pcs)	6.65	10
41407	1" Flare Nozzle Pack (2 pcs)	5.90	8	46425	1/8" AR NPT (50 pcs)	48.20	16	51802	3/8" Nozzle Pack (4 pcs)	4.45	10
41408	1/4" Y Fitting Pack (2 pcs)	5.90	8	46426	1/4" AR NPT (50 pcs)	48.20	16	51803	1/2" Nozzle Pack (4 pcs)	4.45	10
41409	1/4" Double Socket Pack (4 pcs)	4.35	8	46427	1" AR Flare Nozzle (20 pcs)	52.25	16	51804	3/8" NPT Connector Pack (4 pcs)	4.45	10
41411	1/4" Socket X 1/8" FNPT (4 pcs)	4.95	8	46428	1/4" AR Y Fitting (20 pcs)	52.25	16	51805	1/2" NPT Connector Pack (4 pcs)	4.45	10
41412	3/8" SAE Flare Nut for 1/4" (4 pcs)	5.90	8	46429	1/4" AR Double Socket (20 pcs)	20.50	16	51806	1/4" Nozzle Pack for 1/2" (4 pcs)	4.45	10
41414	1/4" SAE Flare Nut for 1/4" (4 pcs)	5.90	8	46431	1/8" AR FNPT X 1/4" Sckt (20 pcs)	24.55	16	51807	1 1/4" Flare Nozzle Pack (2 pcs)	6.65	10
41415	1/4 Elbow Fitting Pack (2 pcs)	5.45	8,13	46435	1/4" AR Elbow (20 pcs)	53.10	16	51808	1/2" Y Fitting Pack (2 pcs)	6.65	10
41416	1/4" T Fitting Pack (2 pcs)	6.55	9,13	46436	1/4" AR T Fitting (20 pcs)	64.10	16	51809	2 1/2" Flare Nozzle Pack (2 pcs)	7.65	10
41417	1/8" BSPT/PT Pack (4 pcs)	3.90	8	46449	1/4" AR Swivel Nozzle 40 (20 pcs)	84.00	16	51811	1/2" Double Socket Pack (4 pcs)	4.95	10
41418	1/4" BSPT/PT Pack (4 pcs)	3.90	8	46450	1/4" AR Swivel Nozzle 60 (20 pcs)	84.00	16	51821	1/2" to 1/4" Adapter Pack (2 pcs)	4.90	10
41470	1/16" 90° Nozzle Pack (4 pcs)	5.45	8	49420	1/4" Segments (25 ft box)	130.00	8	51822	1/2" to 1/4" Y Reducer Pack (2 pcs)	6.65	10
41471	1/8" 90° Nozzle Pack (4 pcs)	5.45	8	49421	1/4" 50 Foot Coil	260.00	8	51823	3/8" SAE Flare Nut Adapter (4 pcs)	6.10	10
41472	1/4" 90° Nozzle Pack (4 pcs)	5.45	8	49422	1/16" Nozzle (50 pcs)	38.50	8	51824	1/2" Elbow Pack (2 pcs)	6.20	10,13
41473	1/4" 90° Spray Bar (2 pcs)	5.90	8	49423	1/8" Nozzles (50 pcs)	38.50	8	51825	1/2" T Fitting (2 pcs)	7.30	11,13
41474	90 Degree Nozzle Assortment	6.55	8	49424	1/4" Nozzles (50 pcs)	38.50	8	51826	3/8" BSPT Connector (4 pcs)	4.45	10
41475	1/4" Extended Element Kit	13.15	8	49425	1/8" NPT (50 pcs)	38.50	8	51827	1/2" BSPT Connector (4 pcs)	4.45	10
41476	1/4" Extended Elements (4 pcs)	8.75	8	49426	1/4" NPT (50 pcs)	38.50	8	51828	1/4" 90° Nozzle for 1/2" (4 pcs)	6.20	10
41477	1/4" Element Clamps (4 pcs)	6.55	8	49427	1" Flare Nozzle (20 pcs)	41.80	8	51829	3/8" 90° Nozzle Pack (4 pcs)	6.20	10

PART NUMBER INDEX

Part No.	Description	List Price	Page	Part No.	Description	List Price	Page	Part No.	Description	List Price	Page
51830	1/2" 90° Nozzle Pack (4 pcs)	\$ 6.20	10	59868	1/2" Y Fitting (20 pcs)	\$ 46.20	10	69543	5/8" Nozzle (50 pcs)	\$ 53.35	12
51831	1/2" 90° Spray Bar (2 pcs)	6.65	10	59869	1/2" to 1/4" Adapter (20 pcs)	41.80	10	69545	3/4" NPT Connector (50 pcs)	53.35	12
51832	1/2" 90° Nozzle Kit	7.40	10	59870	1/2" to 1/4" Y Reducer (20 pcs)	46.20	10	69547	3" Flare Nozzle (20 pcs)	65.55	12
51833	1/2" Extended Element (4 pcs)	9.85	10	59871	2 1/2" Flare Nozzle (20 pcs)	50.60	10	69548	3/4" to 1/2" Adapter (20 pcs)	47.95	12
51834	1/2" Element Clamp (4 pcs)	7.65	10	59872	1/2" Double Socket (20 pcs)	19.60	10	69549	3/4" BSPT/PT Connectors (50 pcs)	53.35	12
51835	1/2" Extended Element Kit	15.35	10	59873	3/8" SAE Flare Nut for 1/2" (20 pcs)	24.00	10	69551	3/4" Y Fitting (20 pcs)	65.55	12
51836	1/2" Side Flow Nozzle (4 pcs)	7.40	11	59874	1/2" Elbow (20 pcs)	48.60	10,13	69552	3/4" to 1/2" Y Reducer (20 pcs)	65.55	12
51837	1/2" Circle Flow Nozzle Kit	19.75	10	59875	1/2" T Fitting (20 pcs)	57.65	10,13	69554	3/4" Double Socket (20 pcs)	24.50	12
51838	1/2" End Caps (4 pcs)	4.45	11	59876	3/8" BSPT Connector (50 pcs)	44.00	10	69555	3/4" Elbow (20 pcs)	58.80	12
51840	1/2" Flat Slot 80 Nozzle (4 pcs)	7.00	11	59877	1/2" BSPT Connector (50 pcs)	44.00	10	69856	3/4" Male NPT Valve (10 pcs)	66.50	12
51841	1/2" Flat Slot 125 Nozzle (4 pcs)	7.00	11	59878	1/4" 90° Nozzle for 1/2" (20 pcs)	24.75	10	69857	3/4" Female NPT Valve (10 pcs)	66.50	12
51842	1/2" Flat 5 Hole Nozzle (4 pcs)	7.00	11	59879	3/8" 90° Nozzle (20 pcs)	24.75	10	69858	3/4" Inline Valve (10 pcs)	66.50	12
51843	1/2" Flat 7 Hole Nozzle (4 pcs)	7.00	11	59880	1/2" 90° Nozzle (20 pcs)	24.75	10	69561	3/4" Shield Mounting Elbow (20 pcs)	60.40	12
51844	1/2" Flat Nozzle Assortment Pack	7.00	11	59881	1/2" 90° Spray Bar Nozzle (20 pcs)	46.20	10	69563	3/4" Fixed Mount (20 pcs)	47.20	12
51845	2 1/2" Swivel Nozzle 75 for 1/2" (2 pcs)	9.75	11	59883	1/2" Extended Element (20 pcs)	39.40	10	78001	1/4" Assembly Pliers (1 pc)	10.95	9
51846	1/2" Magnetic Base (1 pc)	12.75	11	59884	1/2" Element Clamp (20 pcs)	28.50	10	78002	1/2" Assembly Pliers (1 pc)	10.95	11
51847	1 1/4" Straight Flow Nozzle (2 pcs)	6.65	11	59885	1/2" End Cap (20 pcs)	17.60	11	78003	1/4" & 1/2" Plier Set	19.75	9,11
51848	1 5/8" Straight Flow Nozzle (2 pcs)	7.65	11	59887	1/2" 4 way Cross (20 pcs)	50.80		78004	3/4" Hose Assembly Pliers	13.95	12
51849	1/2" Nozzle-Rama Pack	26.95	11	59889	1/2" Side Flow Nozzle (20 pcs)	26.95	11	81201	9 elements 2.5" ID (1 foot segment)	13.95	15
51895	1/2" Fixed Mount (2 pcs)	4.55	11	59890	1/2" Flat Slot 80 Nozzle (20 pcs)	28.00	11	81202	18 elements 2.5" ID (2 - one ft segs)	25.95	15
56801	1/2" AR Segment Pack (2 pcs)	8.30	16	59891	1/2" Flat Slot 125 Nozzle (20 pcs)	28.00	11	81203	4.5" Round Nozzle (1 pc)	4.95	15
56802	3/8" AR Nozzle Pack (4 pcs)	5.55	16	59892	1/2" Flat 5 Hole Nozzle (20 pcs)	28.00	11	81204	6"x3.5" Rectangular Nozzle (1 pc)	4.95	15
56803	1/2" AR Nozzle Pack (4 pcs)	5.55	16	59893	1/2" Flat 7 Hole Nozzle (20 pcs)	28.00	11	81205	Tapered Oval Nozzle (1 pc)	4.95	15
56804	3/8" AR NPT Connector (4 pcs)	5.55	16	59895	2 1/2" Swivel Noz. 75 for 1/2" (20 pcs)	78.00	11	81206	3" PVC Adapter (1 pc)	3.95	15
56805	1/2" AR NPT Connector (4 pcs)	5.55	16	59896	1/2" Fixed Mount (20 pcs)	38.50	11	81207	3" Sheet Metal Duct Adapter (1 pc)	3.95	15
56806	1/4" AR Nozzle for 1/2" (4 pcs)	5.55	16	59897	1 1/4" Straight Flow Nozzle (20 pcs)	46.20	11	81208	2.5" Slide Valve (1 pcs)	11.95	15
56807	1 1/4" AR Flare Nozzle (2 pcs)	8.30	16	59898	1 5/8" Straight Flow Nozzle (20 pcs)	50.60	11	81209	Shop Vac. Hose Adpt. w/tab (1 pc)	3.95	15
56808	1/2" AR Y Fitting (2 pcs)	8.00	16	60513	3/4" Hose Assembly Kit	10.95	12	81210	Shop Vacuum Adapter (1 pc)	3.95	15
56821	1/2" to 1/4" AR Adapter Pack (2 pcs)	5.90	16	60525	6"x 8" Quick-Set Shield™ Kit	28.55	12	81301AS	9 Elements AS 2.5" ID (1 foot)	16.00	15
56822	1/2" to 1/4" Y AR Reducer (2 pcs)	8.00	16	60526	7 1/2" X 10" Quick Set Shield™ Kit	30.75	12	81302AS	18 Elements AS 2.5" ID (2 feet)	29.85	15
56824	1/2" AR Elbow (2 pcs)	6.80	16	60527	8 1/2" X 12" Quick Set Shield™ Kit	32.95	12	81303AS	4.5" AS Round Nozzle (1 pc)	5.70	15
56825	1/2" AR T Fitting (2 pcs)	8.20	16	60528	6" X 8" Replacement Shield	7.65	12	81304AS	6" x 3.5" AS Rectangular Nozzle (1pc)	5.70	15
56863	1/2" AR Hose Assembly Kit	11.05	16	60529	7 1/2" X 10" Replacement Shield	9.85	12	81305AS	AS Tapered Oval Nozzle (1 pc)	5.70	15
57860	1/2" AR Segments (25 feet)	192.50	16	60530	8 1/2" X 12" Replacement Shield	12.05	12	81307AS	3" AS Sheet Metal Adapter (1 pc)	4.55	15
57861	1/2" AR Coil (50 feet)	385.00	16	60531	Shield Mounting Elbow (2 pcs)	7.65	12	81308AS	2.5" AS Slide Valve (1 pc)	13.75	15
57862	3/8" AR Nozzles (50 pcs)	55.00	16	60532	Magnetic Base (1 pc)	13.15	12	89220	180 elem'ts 2.5" ID (20 - one ft segs)	230.00	15
57863	1/2" AR Nozzles (50 pcs)	55.00	16	60533	3/4" Fixed Mounts (2 pcs)	5.90	12	89223	4.5" Round Nozzles (10 pcs)	45.00	15
57864	3/8" AR NPT Connector (50 pcs)	55.00	16	61501	3/4" Segment Pack (2 pcs)	8.30	12	89224	6"x3.5" Rectangular Nozzle (10 pcs)	45.00	15
57865	1/2" AR NPT Connector (50 pcs)	55.00	16	61502	3/4" Nozzle Pack (4 pcs)	5.45	12	89225	Tapered Oval Nozzle (10 pcs)	45.00	15
57866	1/4" AR Nozzles for 1/2" (50 pcs)	55.00	16	61503	5/8" Nozzle Pack (4 pcs)	5.45	12	89226	3" PVC Adapter (10 pcs)	35.00	15
57867	1 1/4" AR Flare Nozzle (20 pcs)	57.65	16	61505	3/4" NPT Connector (4 pcs)	5.45	12	89227	3" Sheet Metal Duct Adpt.(10 pcs)	35.00	15
57868	1/2" AR Y Fitting (20 pcs)	55.40	16	61507	3" Flare Nozzle (2 pcs)	8.75	12	89228	2.5" Slide Valve (10 pcs)	107.55	15
57869	1/2" to 1/4" AR Adapter Pack (20 pcs)	50.10	16	61508	3/4" to 1/2" Adapter (2 pcs)	6.00	12	89229	Shop Vac Hose Adpt w/tab (10 pcs)	35.00	15
57870	1/2" to 1/4" Y AR Reducer (20 pcs)	55.40	16	61509	3/4" BSPT Connector (4 pcs)	5.45	12	89230	Shop Vacuum Adapter (10 pcs)	35.00	15
57874	1/2" AR Elbow (20 pcs)	53.10	16	61511	3/4" Y Fitting (2 pcs)	8.75	12	89320AS	180 Elements AS 2.5" ID (20 feet)	264.50	15
57875	1/2" AR T Fitting (20 pcs)	64.10	16	61512	3/4" to 1/2" Y Reducer (2 pcs)	8.75	12	89323AS	4.5" AS Round Nozzle (10 pcs)	51.75	15
59860	1/2" Segments (25 foot box)	154.00	10	61514	3/4" Double Socket (4 pcs)	6.05	12	89324AS	6" X 3.5" AS Rect. Nozzle (10 pcs)	51.75	15
59861	1/2" 50 foot Coil	308.00	10	61515	3/4" Elbow (2 pcs)	7.10	12	89325AS	AS Tapered Oval Nozzle (10 pcs)	51.75	15
59862	3/8" Nozzle (50 pcs)	44.00	10	61516	3/4" Male NPT Valve (2 pcs)	14.95	12	89327AS	3" AS Sheet Metal Adapter (10 pcs)	40.25	15
59863	1/2" Nozzle (50 pcs)	44.00	10	61517	3/4" Female NPT Valve (2 pcs)	14.95	12	89328AS	2.5" AS Slide Valve (10 pcs)	123.70	15
59864	3/8" NPT Connector (50 pcs)	44.00	10	61518	3/4" Inline Valve (2 pcs)	14.95	12				
59865	1/2" NPT Connector (50 pcs)	44.00	10	69540	3/4" Segments (25 feet)	180.00	12				
59866	1/4" Nozzle for 1/2" Hose (50 pcs)	44.00	10	69541	3/4" 50 foot Coil	360.00	12				
59867	1 1/4" Flare Nozzle (20 pcs)	46.20	10	69542	3/4" Nozzle (50 pcs)	53.35	12				

LOCKWOOD PRODUCTS, INC.

originated the modular hose concept. The Loc-Line® system is available in four different hose diameters along with a multitude of nozzles, fittings, and accessories suitable to many industrial and commercial applications.

For the latest product information about Loc-Line® visit our web site.

WWW.LOC-LINE.COM



LOCKWOOD PRODUCTS, INC.

5615 SW Willow Lane
Lake Oswego, OR 97035 U.S.A.
Phone: 800-423-1625 or 503-635-8113
Fax: 800-472-8188 or 503-635-2844
E-mail: info@loc-line.com

© LOCKWOOD PRODUCTS, AUGUST 2004
FORM NO. 99085

LOC-LINE® IS DISTRIBUTED BY:



Loc-Line® is distributed worldwide. For the name of a stocking distributor in your country contact Lockwood Products, Inc.